

# SA-Control panel

Article No.: PRGPU126

# SALDA

The SA-Control panel is designed to professionally control the ventilation units manufactured by SALDA UAB.



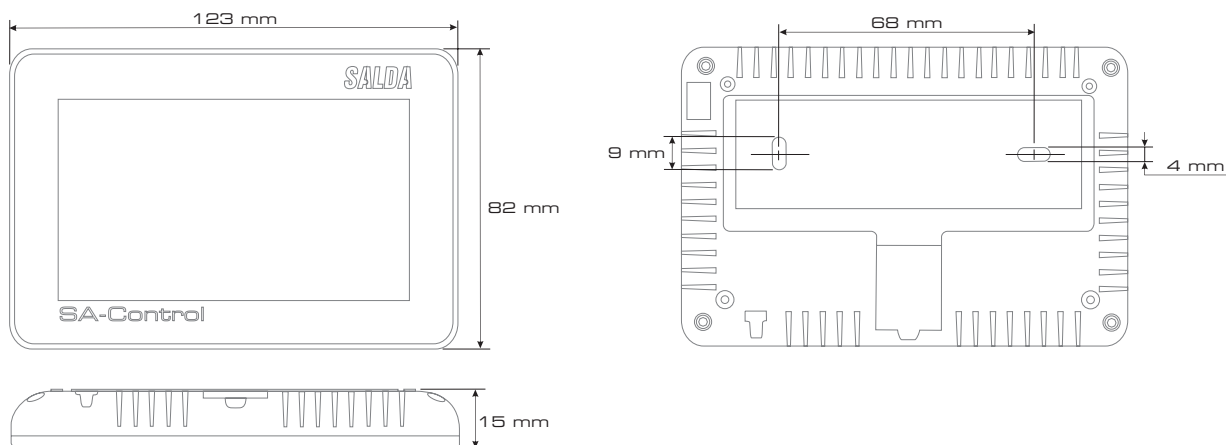
## KEY FEATURES:

- › 4.3" touch pad with multi-lingual interface;
- › user-friendly interface: operating modes, temperature setting, calendar event recording, etc.;
- › expert settings in the service and installer environments;
- › informative main window: air temperature, operating modes, relative humidity, CO2 level, date, time;
- › attractive contemporary design;
- › screen brightness setting;
- › power saving Standby mode;
- › automatic control panel identification;
- › Modbus protocol;
- › convenient upgrade via the micro USB connection.

## SPECIFICATION

Power supply	VDC	24VDC $\pm$ 10%
Power	W	1,3
Communication line		RS-485 (Modbus)
Measurements	[mm]	123x82x15 mm
Protection class		IP30
Ambient temperature	[°C]	10 to 40
Relative environment humidity	[%]	10-80 (without condensation)

# MEASUREMENTS



# COMPATIBILITY

This product fits with the ventilation units, equipped with MCB, MiniMCB, PRV control boards.

# SA-CONTROL RELEASE DATES

2018-06-18 for units with MCB-type control board:



Smarty



AmberAir Compact



AmberAir

2018-08-17 for units with PRV-type control board:



RIS EKO 3.0



RIRS EKO 3.0



SALDA UAB  
Ragainės g. 100  
LT-78109 Šiauliai, Lithuania



+370 41 54 04 15  
+370 41 54 04 17



office@salda.lt  
www.salda.lt